



STANDARD PNEUMATIC CIRCUIT BOARDS

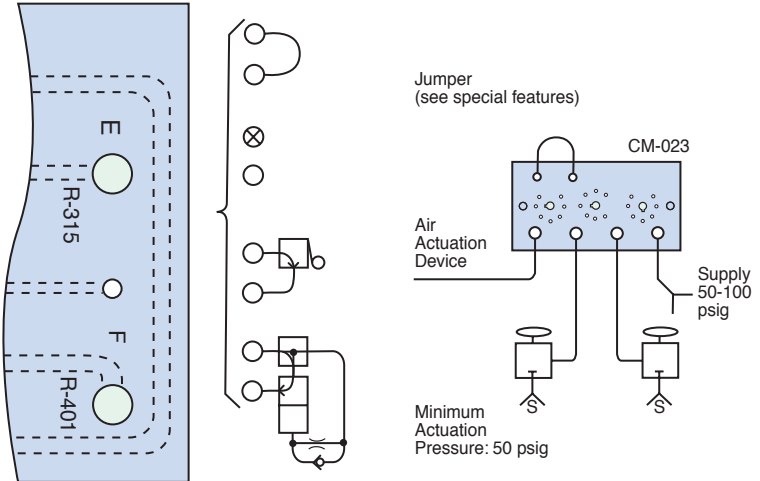
TWO HAND NO TIE DOWN

Circuit Operation

RV-3 is held open by supply air that passes through RV-1, RV-2 and N-1. When RV-1 is actuated alone, the pilot air for RV-3 flows back through the N-1 and RV-2 to atmosphere at RV-1 and RV-3 is closed by the spring. When RV-2 is actuated alone, the same sequence occurs except the pilot air from RV-3 exhausts to atmosphere via RV-2. Restriction N-1, which determines the time span during which both signals must be received in order to obtain an output.

When RV-1 and RV-2, are actuated together, supply air is directed through RV-1, RV-2 and RV-3 to the output providing a momentary output signal that is determined by N-1. If a maintained output is required, a jumper between "E" + "F" maintains an output as long as the operator is depressing both palm buttons.

The indicator on RV-3 (R-315) must be down for an output to be obtained. If either RV-1 or RV-2 is actuated separately, their respective indicator will go up, but after approximately one second the indicator on RV-3 (R-315) will go down showing that the valve has shifted and an output cannot be obtained. Circuit performance and sequence should be periodically observed to verify proper function. Absolutely no alterations or modifications should be made to this circuit or its component parts.



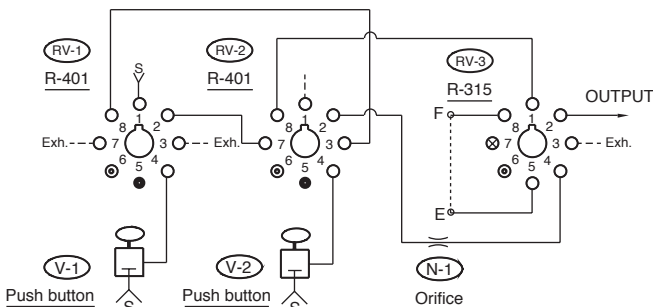
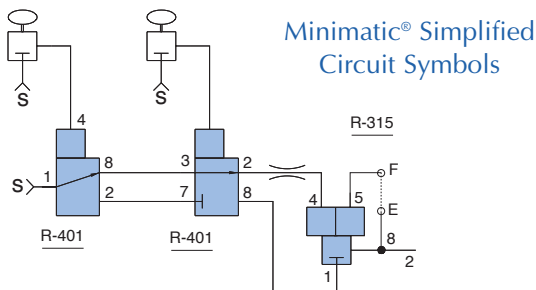
Maintained Output occurs as long as both pushbuttons are held. Release of either button terminates the output. (Connect E to F)

Momentary Output gives a single output pulse that is about 50 MS in duration. (Plug E with 11755 screw plug; F is open)

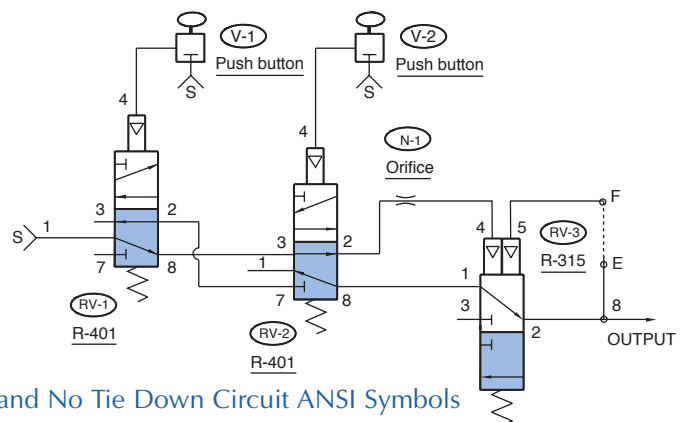
Cancelable Output terminates the output after a normally open 3-way limit valve has been tripped, even if both pushbuttons are still held. (Interpose normally open 3-way valve)

Cancel Output after Time Delay is a variation of cancelable output (above) where pneumatic delay valve such as Clippard Model R-331 is set to cancel the output after a designated time interval has elapsed. (Interpose normally open 3-way delay valve)

It is the *user's responsibility* to determine which special feature can be safely used in his particular application.



Octoport Piping Diagram



Two Hand No Tie Down Circuit ANSI Symbols